



FOUND AN EXPLOSIVE?

EXPLOSIVES CHART



CONTACT THE MRCC: **VHF 16 / 67, PHONE 0032 (0)59 / 70 11 00**

MENTION POSITION, MEASUREMENTS & TYPE (SEE CHART)

TAKE PICTURES IF POSSIBLE AND MAIL TO mrcc@mrcc.be

ON BOARD?

KEEP AWAY FROM HEAT AND VIBRATIONS, AVOID MOVEMENT, COVER UP AND SAIL TO 4000 M OFF THE COAST

NOT ON BOARD?

PUT OVERBOARD (SHALLOW WATER) AND *BEACON!*

COAST: 4000 M - PIPELINES: 2000 M

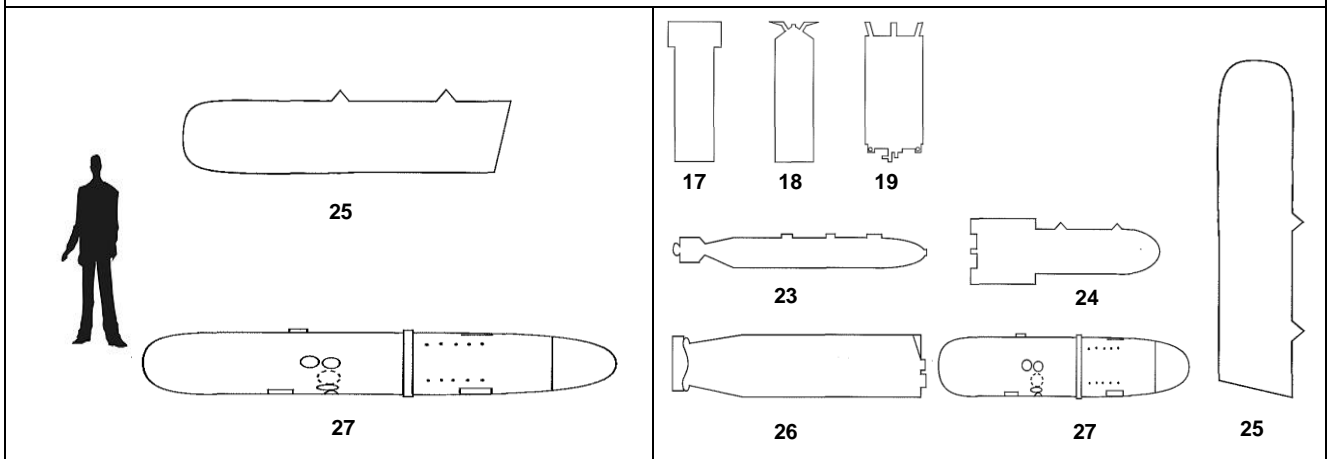
CABLES, SOUNDING MASTS, WRECKS: 1000 M

BUOYS: 200 M

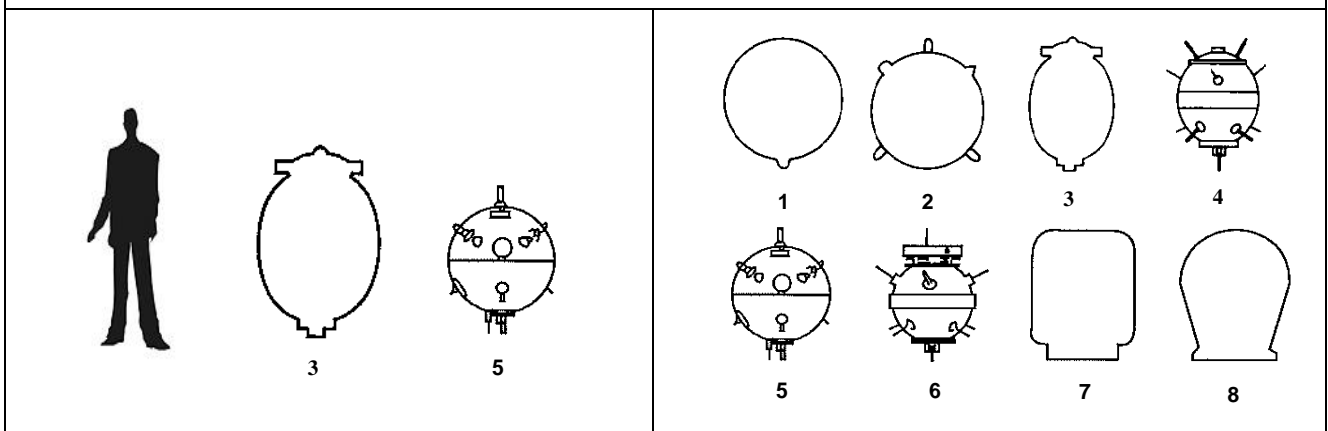
SEE ALSO

NOTICES TO MARINERS NR 1

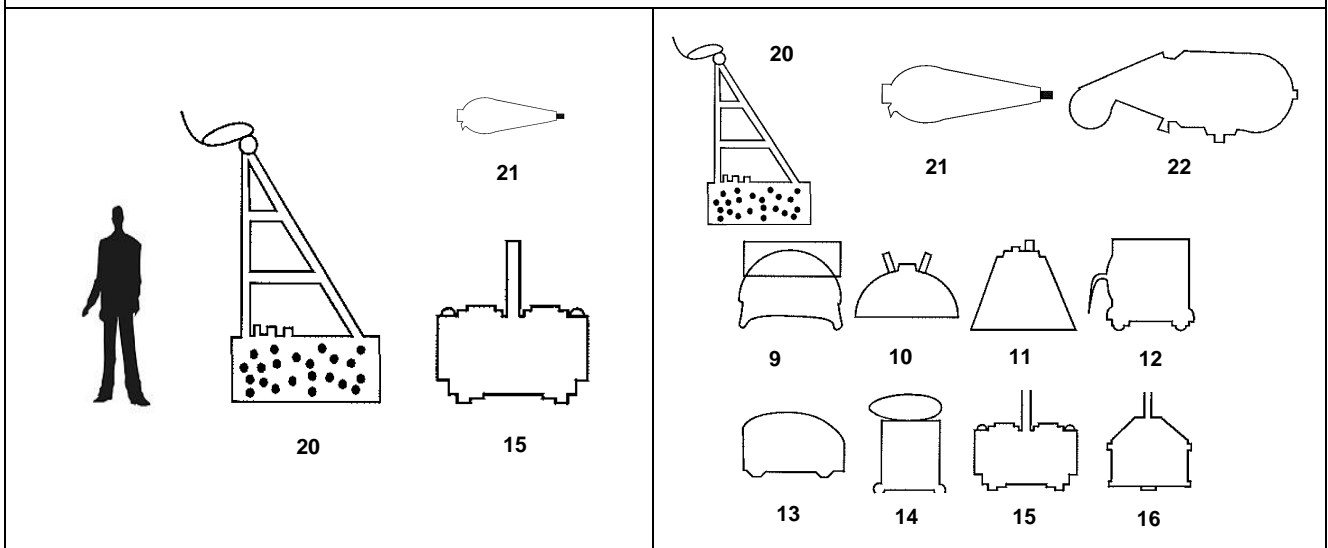
SEA MINES GROUND (measurements ± between 1m20 and 2m50)



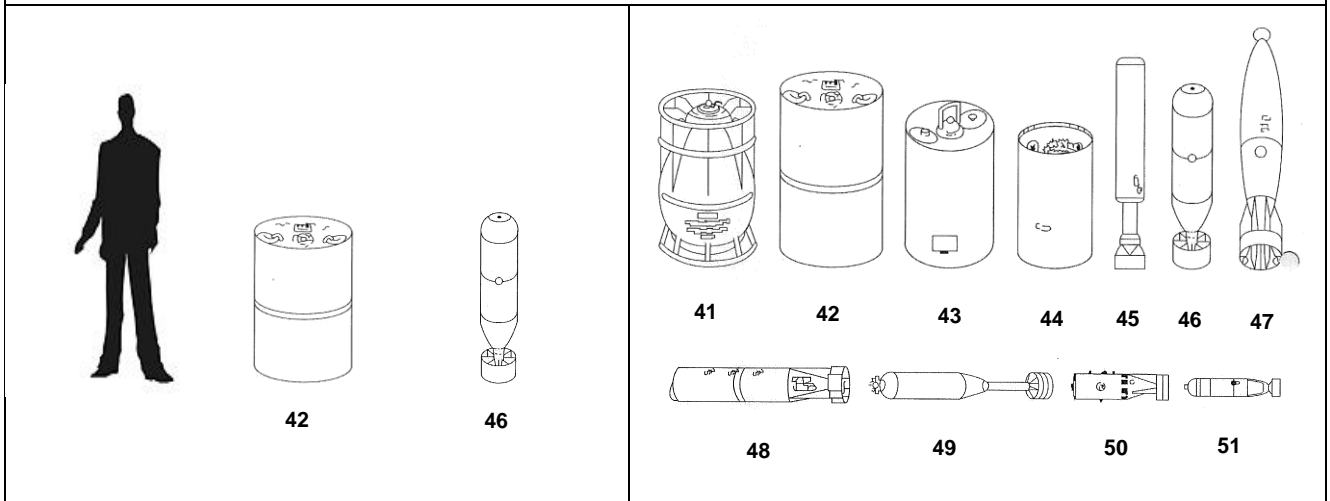
SEA MINES ANCHORED (measurements ± Ø between 60cm and 1m50)



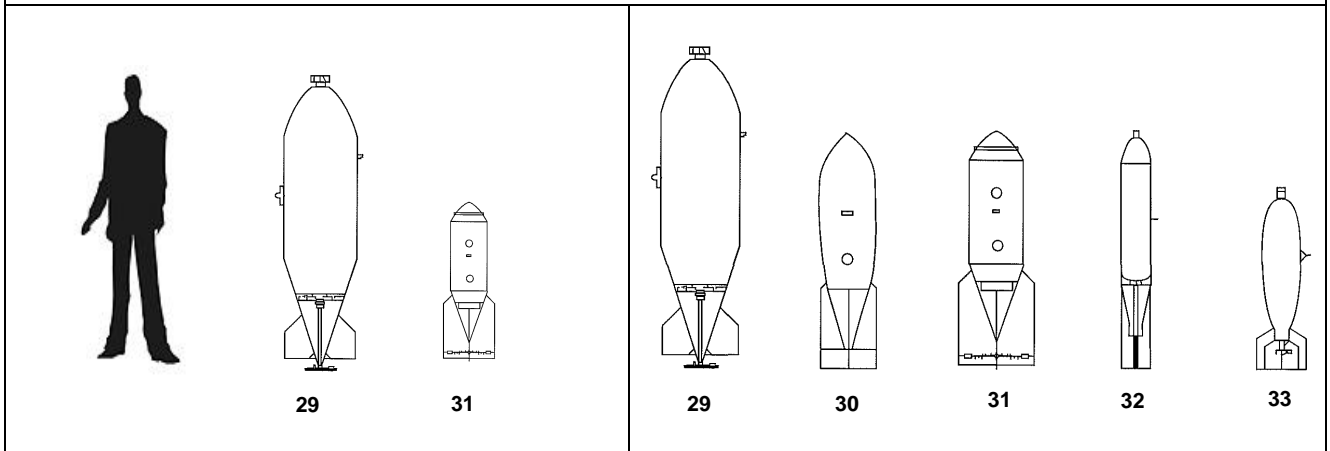
BEACH MINES (measurements ± between 50cm and 1m50)



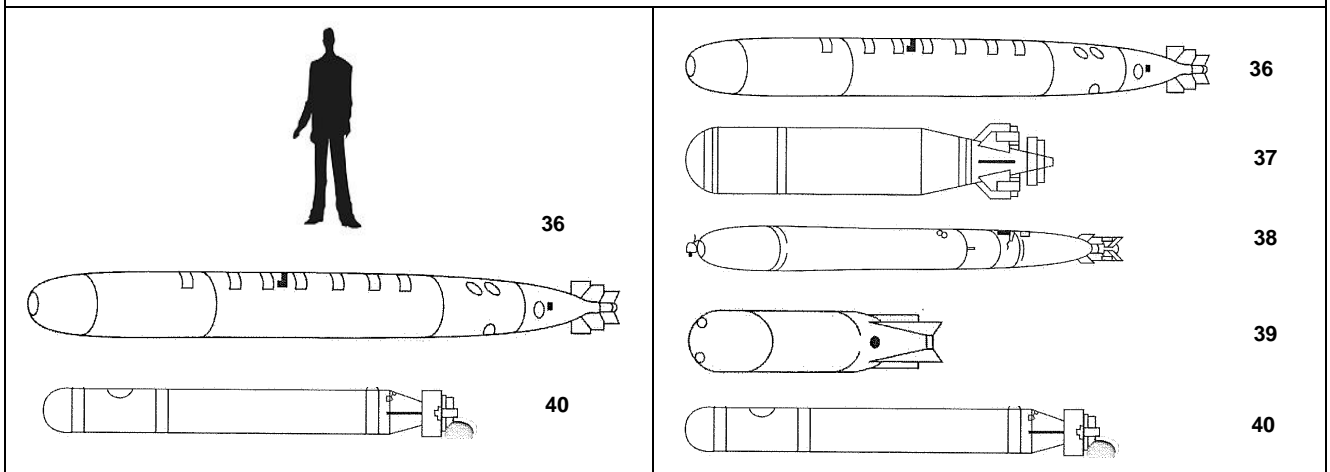
DEPTH CHARGES (measurements ± between 60cm and 1m20)



AIRCRAFT BOMB (measurements ± between 20cm and 120cm)



TORPEDOES (measurements ± between 1m50 and 4m)



VARIOUS SMALL AMMUNITIONS (measurements ± between 20cm and 1m20)

